

# Pressure Pot 60

## Description

The Pressure Pot 60 has a volume of 48 liters and is suitable for solvent borne materials supplying either manual or automatic spray guns. The pressure pot and its material path are made of high-grade steel with

a PTFE coating ensuring easy maintenance and durability. Its inner steel pot is made of stainless steel. Thanks to four integrated wheels the pressure pot can be moved easily.



## Customer Benefits

- » Simple and robust design
- » PTFE coating for better maintenance
- » Four wheels for easy carriage
- » Pressure valve to ensure maximal operating pressure
- » Material path made of high-grade steel



# Pressure Pot 60

## N08140007

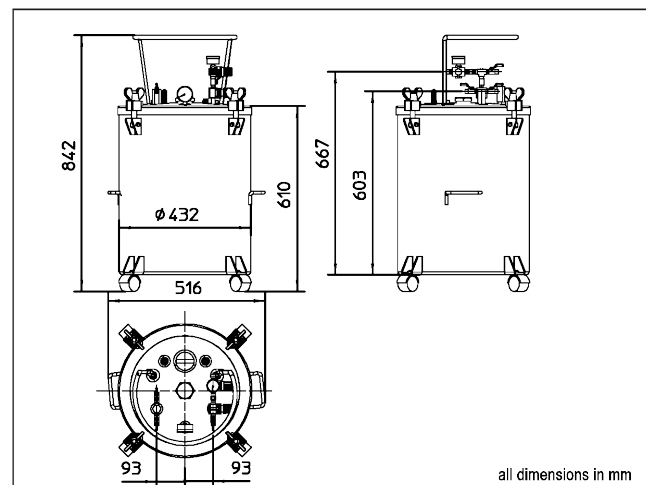
### Specification

Weight	32,5kg
Drum Volume	48 l (12,7 gal US)
Material Housing	Steel (PTFE-Coated)
Parts contacted by media	Highgrade Steel, SST
Air Pressure max.	2,5 bar (36 psi)
Operating overpressure max	2,5 bar (36 psi)
Connector Air	Quick Coupling D7,2 d10
Connector outlet	G 1/4"
Connector outlet, Media	G 3/8"
Operating temperature min	0 °C (32 °F)
Operating temperature max	40 °C (104 °F)

### Accessories

Part No.	Description
W40030934	Hose 6x8 blue
W40030935	Hose 6x8 PU blue
W40030936	Hose 6x8 PU red
N36200008V	<b>EcoGun AS MAN 1PS</b>
N36200007V	<b>EcoGun AS MAN 1PF</b>
N36200001V	<b>EcoGun AS MAN 2PF</b>

### Dimensions



### Further Information

If you require further information please do not hesitate to contact our Sales Team at +49 7142 78-0 or [Industrial.Products@durr.com](mailto:Industrial.Products@durr.com)