

Pressure Pot 10 A

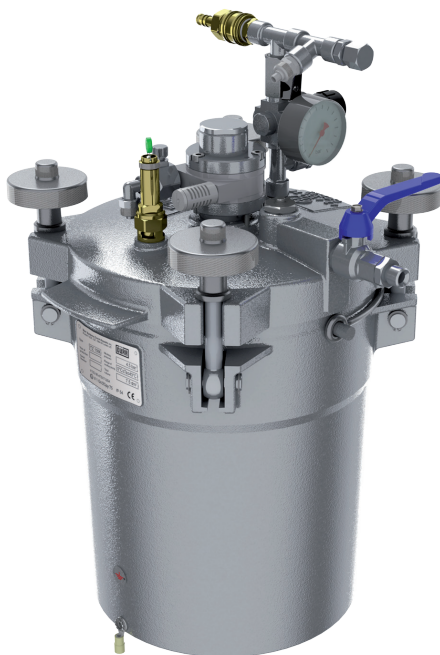
Description

The Pressure Pot 10 A has a volume of 7,5 liters and is suitable for all fluids and solvents supplying either manual or automatic spray guns. It has an integrated pneumatic agitator for continuous stirring of material during the application. The Pressure Pot 10 A is made

of aluminum alloy and is equipped with an inner stainless steel pot. All material contacting parts are made of stainless steel and aluminium. The pressure pot can be mounted on a trolley for easier handling.

Customer Benefits

- » Suitable for paint shops
- » Simple and robust design
- » Easy operation
- » ATEX Ex II 1 G c/2G py T5 0 °C / +40 °C

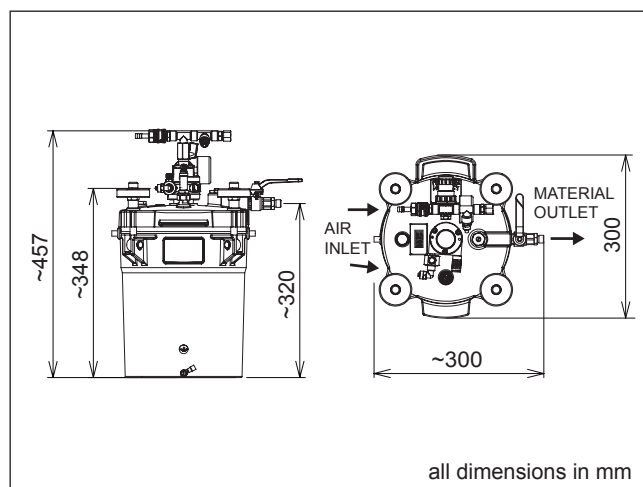


Pressure Pot 10 A N08140002

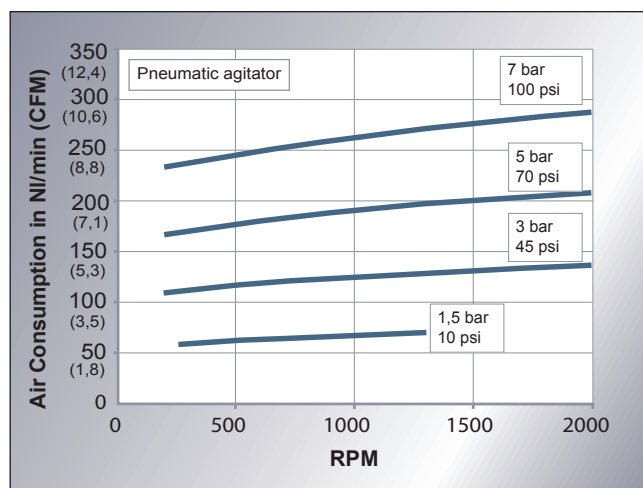
Specification

Weight	11,2 kg
Drum Volume	7,5 l [2 gal US]
Material Housing	Aluminium
Parts contacted by media	Aluminium, Stainless Steel
Air Pressure max.	4,5 bar (65,3 psi)
Operating overpressure max	4,5 bar (65,3 psi)
Connector Air	Push-in 8mm
Connector outlet, Air	G 1/4"
Connector outlet, Media	M14x1,5
Diameter Blades	75 mm [2,9"]
Shaft length	270 mm [10,6"]
Air Pressure min., Agitator	1,0 bar (14,5 psi)
Air Pressure max., Agitator	7,0 bar (101,5 psi)
Connector Air, Agitator	Push-in 6mm
Operating temperature min	0 °C [32 °F]
Operating temperature max	40 °C [104 °F]
Speed max.	800 rpm
ATEX Marking	Ex II 1 Gc/2Gpy T5 0°C/+40°C

Dimensions



Characteristics



Accessories

Part No.	Description
N25090026	Transport carriage
M38060013	Container inside 7,5L for Pressure pot
M01010198	Connection lower outlet
E04030004	Earthing line
N36200008V	EcoGun AS MAN 1PS
N36200007V	EcoGun AS MAN 1PF
N36200001V	EcoGun AS MAN 2PF

Further Information

If you require further information please do not hesitate to contact our Sales Team at +49 7142 78-0 or Industrial.Products@durr.com