

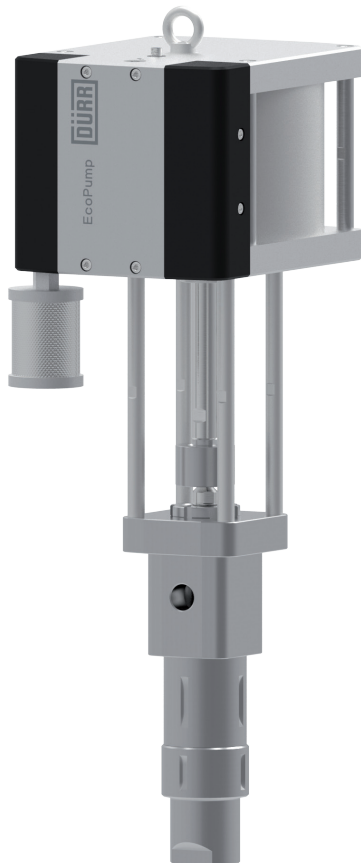
# EcoPump VP

## Pneumatic Vertical Piston Pump

### Description

The **EcoPump VP** is a pneumatically driven vertical piston pump for medium and high-pressure applications. Proven design and long term durability make these pumps a perfect choice for small and middle applications of paint, mastics and adhesives to furniture, steel structures or walls, car bodies and

other objects. The **EcoPump VP** is suitable for airless or air-assisted application and is available in numerous configurations with various air inlet modules, pressure relief valves, trolleys and adjacent devices.



### Customer Benefits

- » Balanced pressure variations
- » Wide range of accessories available
- » Material supplying parts in stainless steel
- » Suitable for airless and air assisted applications
- » Modular design
- » ATEX Ex II 2G IIA T6



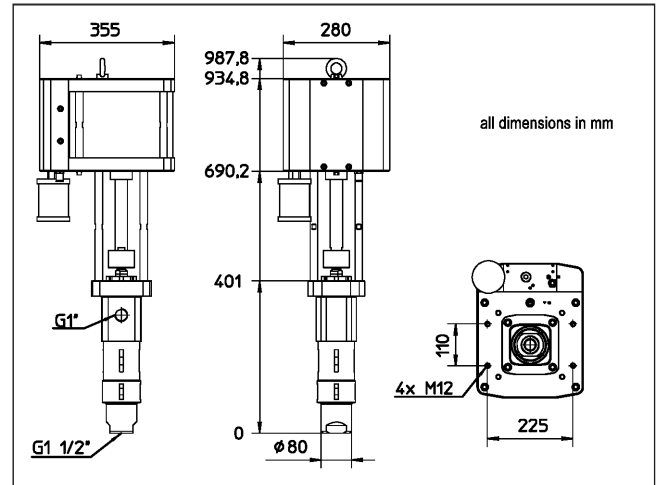
# EcoPump VP 250 360

## N24170001

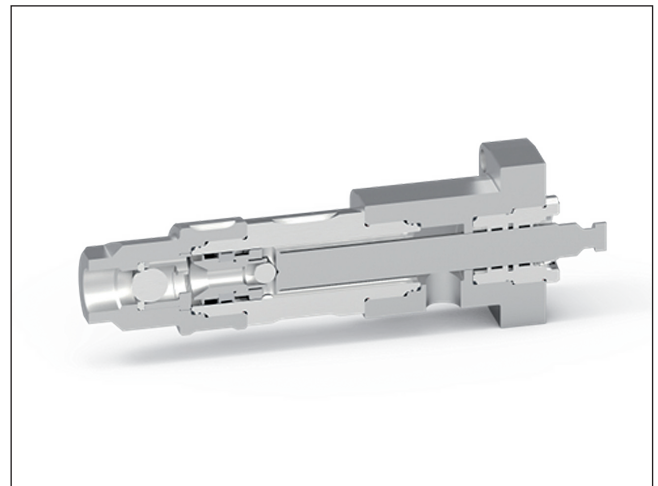
### Specification

|                            |                       |
|----------------------------|-----------------------|
| Weight                     | 79,0 kg               |
| Material Housing           | Stainless steel       |
| Material Ball              | Stainless steel       |
| Material Ball Seat         | Carbide               |
| Parts contacted by media   | Stainless steel       |
| Upper Packing              | PU                    |
| Lower Packing              | PU                    |
| Solids Diameter max.       | 500 µm                |
| Connector Inlet            | G 1 1/2"              |
| Connector outlet           | G 1"                  |
| Connector Air              | G 3/8"                |
| Displacement               | 250 cc/cycle          |
| Flowrate at 15cyc/min.     | 3,75 l/min (1 gal/m)  |
| Air Pressure max.          | 6,0 bar (87 psi)      |
| Fluid Pressure Outlet max. | 360,0 bar (5.221 psi) |
| Fluid Pressure Inlet max.  | 360,0 bar (648 psi)   |
| Operating temperature min  | 10 °C (50 °F)         |
| Operating temperature max  | 50 °C (122 °F)        |
| Material Temperature max.  | 60°C (140 °F)         |
| Sound power level          | 85,0 dB(A)            |
| Ratio                      | 60:1                  |
| Viscosity min.             | 1.000 mPa.s           |
| Viscosity max              | 5.000 mPa.s           |
| ATEX Marking               | Ex II 2G IIA T6       |
|                            |                       |
|                            |                       |
|                            |                       |
|                            |                       |

### Dimensions



### Sectional View



### Accessories

| Part No.  | Description                             |
|-----------|---|
| N26070021 | EcoFlow HPF P 310 5 G3/4" Al            |
| F30300001 | EcoPUC A                                |
| F30300002 | EcoPUC A RA                             |
| F30300003 | EcoPUC A RA BUS                         |
| W07010293 | Pressure gauge 0-400bar/0-5800psi G1/2" |
|           |   |
|           |   |
|           |   |
|           |   |
|           |   |
|           |   |

### Further Information

Flowrate based on continuous operation.

Viscosity values are estimated.

If you require further information please do not hesitate to contact our Sales Team at +49 7142 78-0 or [Industrial.Products@durr.com](mailto:Industrial.Products@durr.com)