

# EcoPump VP

## Pneumatic Vertical Piston Pump

### Description

The **EcoPump VP** is a pneumatically driven vertical piston pump for medium and high-pressure applications. Proven design and long term durability make these pumps a perfect choice for small and middle applications of paint, mastics and adhesives to furniture, steel structures or walls, car bodies and

other objects. The **EcoPump VP** is suitable for airless or air-assisted application and is available in numerous configurations with various air inlet modules, pressure relief valves, trolleys and adjacent devices.



### Customer Benefits

- » Balanced pressure variations
- » Wide range of accessories available
- » Tip cleaning aid (optional part of air inlet)
- » Material supplying parts in stainless steel
- » Suitable for airless and air assisted applications
- » Modular design
- » ATEX Ex II 2G IIA T6



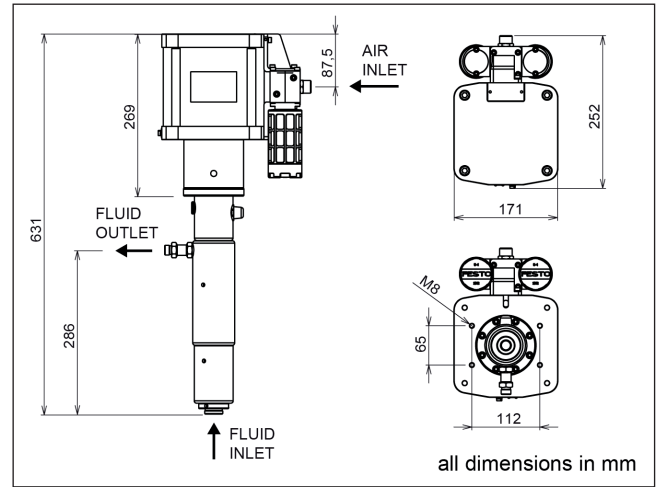
# EcoPump VP 110 225

## N24170009

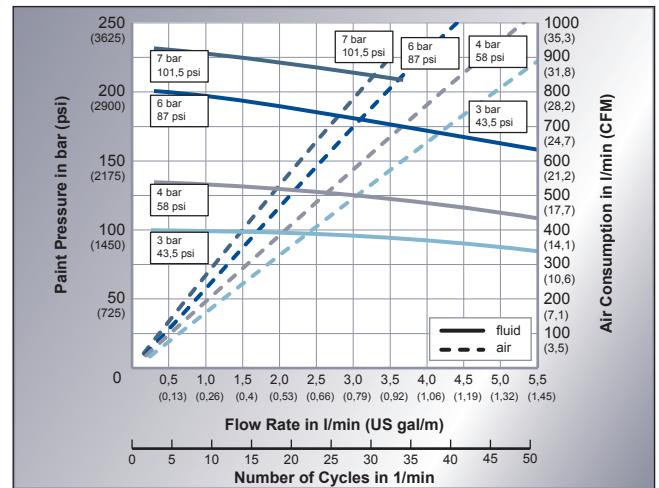
### Specification

Weight	18,7 kg
Material Housing	Stainless steel
Material Ball	Stainless steel
Material Ball Seat	Carbide
Material Piston Seal	PTFE, Viton
Parts contacted by media	Stainless steel
Upper Packing	Teflon, Leather
Lower Packing	Teflon, Leather
Solids Diameter max.	500 µm
Connector Inlet	M30x1,5
Connector outlet	M16x1,5
Connector Air	G 1/2"
Displacement	110 cc/cycle
Flowrate at 25cyc/min	2,6 l/min (0,69 gal/m)
Air Pressure max.	7,0 bar (101 psi)
Fluid Pressure Outlet max.	225,0 bar (3.263 psi)
Fluid Pressure Inlet max.	2,0 bar (21 psi)
Operating temperature min	5 °C (41 °F)
Operating temperature max	45 °C (113 °F)
Material Temperature max.	60°C (140 °F)
Sound power level	< 80,0 dB(A)
Ratio	32:1
ATEX Marking	Ex II 2G IIA T6

### Dimensions



### Characteristics



### Accessories

Part No.	Description
N25010140	Frame console S compl.
M34010512	Direct suction unit, type LF for stand
M34010513	Tube 0,5m with filter
N35430012	High pressure filter 500µm 500bar M14/14
N36220001V	EcoGun AA MAN 256
N36220002V	EcoGun AA MAN 2100
N36240002V	EcoGun AL MAN 300

### Further Information

Flowrate at 25 cyc/min. based on non-continuous operation,  
Further flowrate values based on continuous operation.

Optional piston packing (Teflon, PE-UHMW):  
UF: for 2K media (mixed resin and catalyst)  
UE: for abrasive materials like zinc or aluminum paints

If you require further information please do not hesitate to contact our Sales Team at +49 7142 78-0 or [Industrial.Products@durr.com](mailto:Industrial.Products@durr.com)