

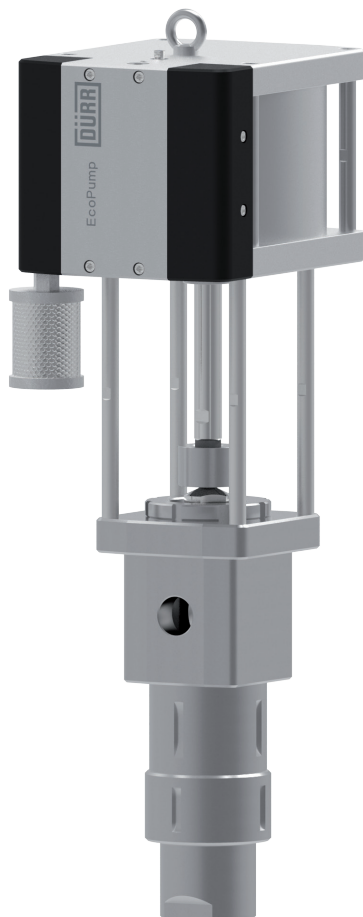
# EcoPump VP

## Pneumatic Vertical Piston Pump

### Description

The **EcoPump VP** is a pneumatically driven vertical piston pump for medium and high-pressure applications. Proven design and long term durability make these pumps a perfect choice for small and middle applications of paint, mastics and adhesives to furniture, steel structures or walls, car bodies and

other objects. The **EcoPump VP** is suitable for airless or air-assisted application and is available in numerous configurations with various air inlet modules, pressure relief valves, trolleys and adjacent devices.



### Customer Benefits

- » Balanced pressure variations
- » Wide range of accessories available
- » Material supplying parts in stainless steel
- » Suitable for airless and air assisted applications
- » Modular design
- » ATEX Ex II 2G IIA T6



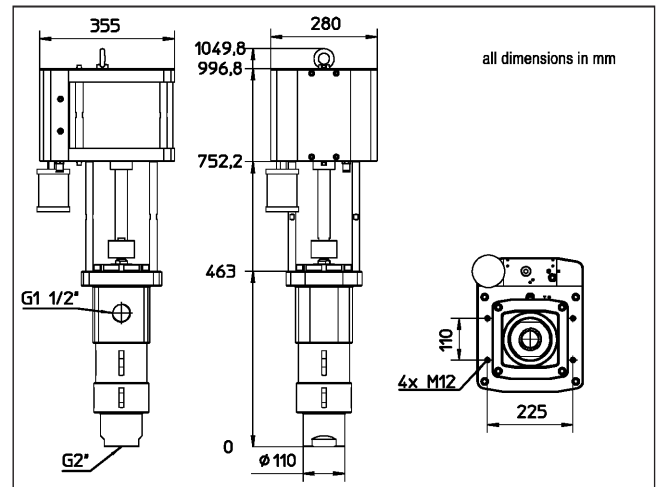
# EcoPump VP 1000 90

## N24170002

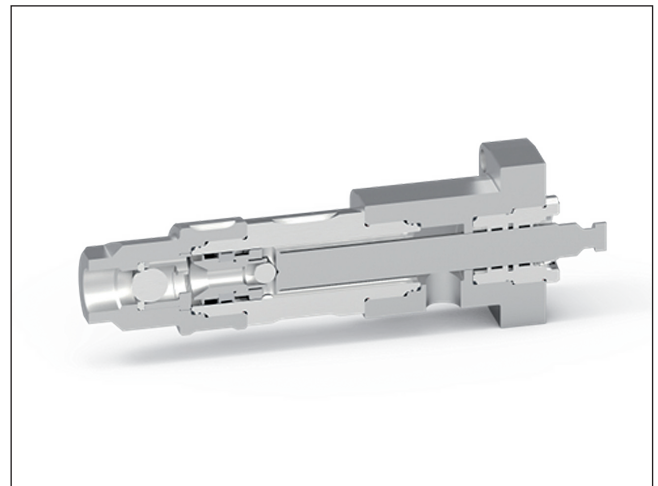
### Specification

Weight	110,5 kg
Material Housing	Stainless steel
Material Ball	Stainless steel
Material Ball Seat	Carbide
Parts contacted by media	Stainless steel
Upper Packing	PU
Lower Packing	PU
Solids Diameter max.	500 µm
Connector Inlet	G 2"
Connector outlet	G1 1/2"
Connector Air	G 3/8"
Displacement	1000 cc/cycle
Flowrate at 15cyc/min.	15,00 l/min (4 gal/m)
Air Pressure max.	6,0 bar (87 psi)
Fluid Pressure Outlet max.	90,0 bar (1.305 psi)
Fluid Pressure Inlet max.	90,0 bar (162 psi)
Operating temperature min	10 °C (50 °F)
Operating temperature max	50 °C (122 °F)
Material Temperature max.	60°C (140 °F)
Sound power level	85,0 dB(A)
Ratio	15:1
Viscosity min.	1.000 mPa.s
Viscosity max	5.000 mPa.s
ATEX Marking	Ex II 2G IIA T6

### Dimensions



### Sectional View



### Accessories

Part No.	Description
N26070021	EcoFlow HPF P 310 5 G3/4" Al
F30300001	EcoPUC A
F30300002	EcoPUC A RA
F30300003	EcoPUC A RA BUS
W07010293	Pressure gauge 0-400bar/0-5800psi G1/2"

### Further Information

Flowrate based on continuous operation.

Viscosity values are estimated.

If you require further information please do not hesitate to contact our Sales Team at +49 7142 78-0 or [Industrial.Products@durr.com](mailto:Industrial.Products@durr.com)