

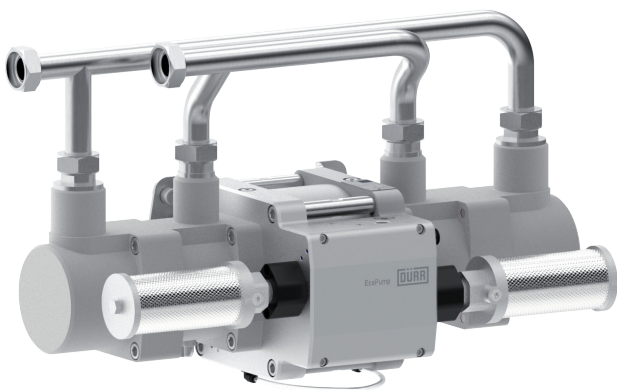
# EcoPump HP

## Horizontal Piston Pump

### Description

The **EcoPump HP** is an air-driven horizontal piston pump. It has been manufactured and tested according to Dürr's well-proven quality standards. Performance and durability are further distinguishing characteristics in order to meet the highest of demands. With a concealed shaft seal this **EcoPump HP** is primarily designed for paint circulation systems as well as fluid transfer and supply. A horizontal two piston design

guarantees equal thrust on both strokes and a rapid pump change-over with a quick release valve for reduced surge. Its modular design enables easy maintenance and an extensive range of accessories are also available. Typically handled fluids are water and solvent borne paints, varnishes, enamels and lacquers.



### Customer Benefits

- » Tested according to DIN EN 12162 and well-proven Dürr quality standards
- » Low ice change-over by thermal isolation of the muffler and optimized air flow
- » Four-ball design
- » No exposed shaft seal
- » Lubricant free
- » Horizontal two-piston design guarantees equal thrust on both strokes
- » Rapid pump change-over with quick release valve for reduced surge
- » Cavity free fluid connection (**EcoTube**)
- » Modular pump design, easy to maintain
- » Wide range of accessories available
- » ATEX Ex II 2G IIA T6



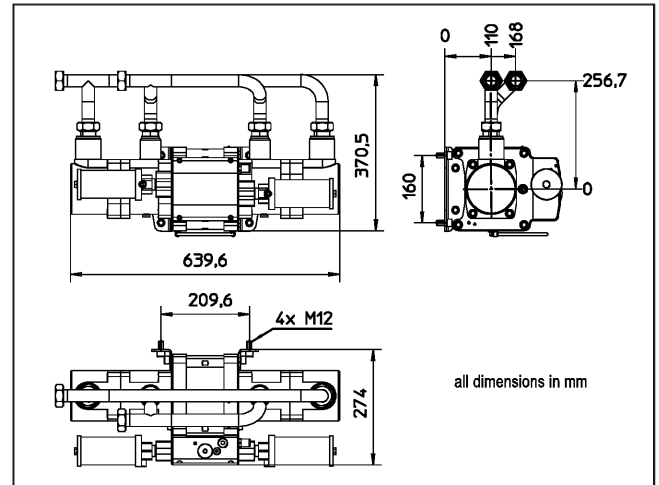
# EcoPump HP 800 21

## N24160002

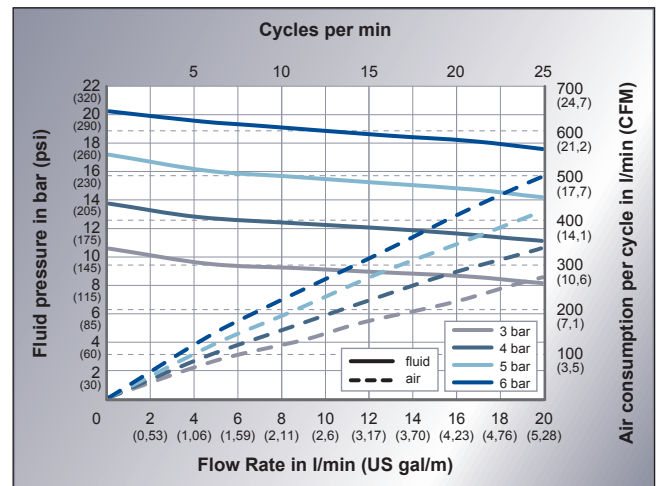
### Specification

Weight	62,0 kg
Material Housing	Aluminium
Material Ball	Stainless steel
Material Ball Seat	Carbide
Material Piston Seal	PE
Parts contacted by media	Stainless steel
Solids Diameter max.	400 µm
Connector Inlet	EcoTube DN25
Connector outlet	EcoTube DN25
Connector Air	G 3/8"
Displacement	800 cc/cycle
Flowrate at 20cyc/min (recom.)	16 l/min (4,2 gal/m)
Air Pressure max.	6,0 bar (87 psi)
Fluid Pressure Outlet max.	21,0 bar (305 psi)
Fluid Pressure Inlet max.	0,5 bar (7 psi)
Operating temperature min	10 °C (50 °F)
Operating temperature max	50 °C (122 °F)
Sound power level	85,0 dB(A)
Ratio	3,5:1
Viscosity min.	40 mPa.s
Viscosity max	250 mPa.s
ATEX Marking	Ex II 2G IIA T6

### Dimensions



### Characteristics



### Accessories

Part No.	Description
N26220004	EcoFlow LPR M 14 15 DN25 SST
N26220005	EcoFlow LPR M 14 25 DN25 SST
F30300001	EcoPUC A
F30300002	EcoPUC A RA
F30300003	EcoPUC A RA BUS
W07010198	Pressure gauge 0-25bar D63 G1/4" down VA

### Further Information

Flowrate values based on continuous operation.

If you require further information please do not hesitate to contact our Sales Team at +49 7142 78-0 or [Industrial.Products@durr.com](mailto:Industrial.Products@durr.com)