

EcoGun AS AUTO pro HD

Automatic Air Spray Gun

Description

The **EcoGun AS AUTO pro HD** is an automatic air spray gun designed for top quality coating application of paints, enamels, glazes and many other materials. It offers a wide range of nozzle sizes in order to handle the majority of application tasks with perfect quality results. The gun body is made of aluminum, the material path of stainless steel.

The **EcoGun AS AUTO HD pro** has been designed for use in automated environment where remote spray control is required. It provides manual adjustment of atomization air inlet and optionally, the remote control of a flat to round adjustment and easy access to paint needle seal packing. It is suitable for abrasive materials.



Customer Benefits

- » Round to flat spray pattern
- » Special round spray and rotary jet nozzles available
- » Nozzle sizes from 0,5mm
- » Stainless steel material path and nozzle set
- » Two material inlets – direct material supply or circulation
- » Separate scaled adjustments for round and flat spray pattern
- » Easy access to paint needle seal packing
- » Suitable for abrasive materials
- » ATEX Ex II 2G T6 X

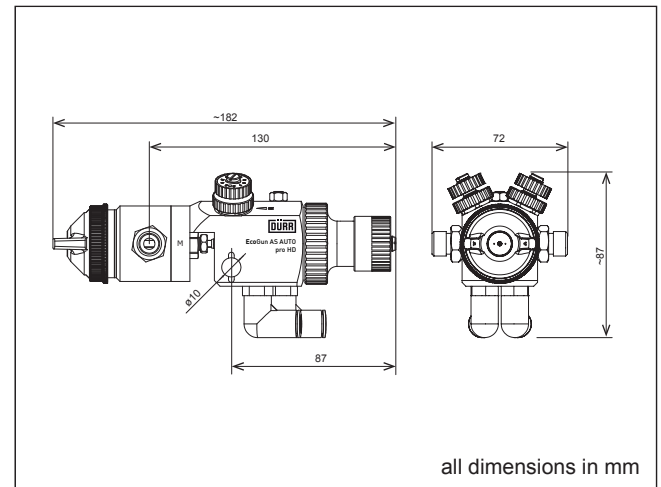


EcoGun AS AUTO pro HD N36210013V

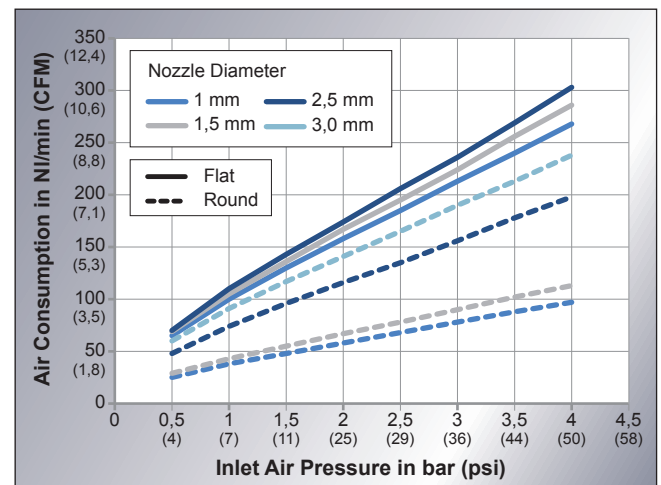
Specification

Weight	900 g
Material Gun Body	SST, Al nickel-plated
Parts contacted by media	Stainless steel
Connector Fluid	G 3/8"
Connector Air	Push-in 8mm
Connector Air, control	Push-in 6mm
Switching Frequency max.	100/min (1,67 Hz)
Recom. Air Pressure	2,0-3,5 bar (29-50 psi)
Air Consump. @recom. Air Press min.	154 NL/min (5.4 sft ³ /m)
Air Consump. @recom. Air Press max.	269 NL/min (9,5 sft ³ /m)
Pilot Air Pressure max.	3,5-6,0 bar (50-87 psi)
Atomizing Air Press. max.	8,0 bar (116 psi)
Fluid Pressure max.	4,0 bar (58 psi)
Operating temperature max.	60 °C (140 °F)
ATEX Marking	Ex II 2G T6 X

Dimensions



Characteristics



Further Information

Final weight depending on configuration.

Complete range of nozzle sizes:

Flat and round jet nozzles:

0,5 / 0,8 / 1,0 / 1,2 / 1,5 / 1,8 / 2,0 / 2,5 / 3,0 / 4,5 / 6,0 mm

Rotary jet nozzles

1,2 / 1,5 / 1,8 / 2,0 / 2,5 / 3,0 / 4,5 / 6,0 mm

If you require further information please do not hesitate to contact our Sales Team at +49 7142 78-0 or Industrial.Products@durr.com

Accessories

Part No.	Description
N36960097	Sealing kit
N66030005	Bracket EcoGun AS AUTO pro
N36960098	Repair kit
W40030934	Hose 6x8 blue
W40030935	Hose 6x8 PU blue
W40030936	Hose 6x8 PU red