

# EcoGun AS AUTO pro

## Automatic Air Spray Gun

### Description

The **EcoGun AS AUTO pro** is an automatic air spray gun designed for top quality coating application of paints, mordant, enamels, glazes and many other materials. It offers a wide range of nozzle sizes in order to handle the majority of application tasks with perfect quality results. The gun body is made of aluminum; the material path of stainless steel.

The **EcoGun AS AUTO pro** has been designed for use in automated environment where remote spray control is required. It provides manual adjustment of atomization air inlet and optionally, the remote control of a flat to round adjustment and easy access to paint needle seal packing. It is suitable for abrasive materials.



### Customer Benefits

- » Round to flat spray pattern
- » Nozzle sizes from 0,5mm
- » Stainless steel material path and nozzle set
- » Two material inlets – direct material supply or circulation
- » Separate scaled adjustments for round and flat spray pattern
- » Easy access to paint needle seal packing
- » Suitable for abrasive materials
- » Paint tube for circulatory operation available for settling media optionally available
- » ATEX Ex II 2G T6 X

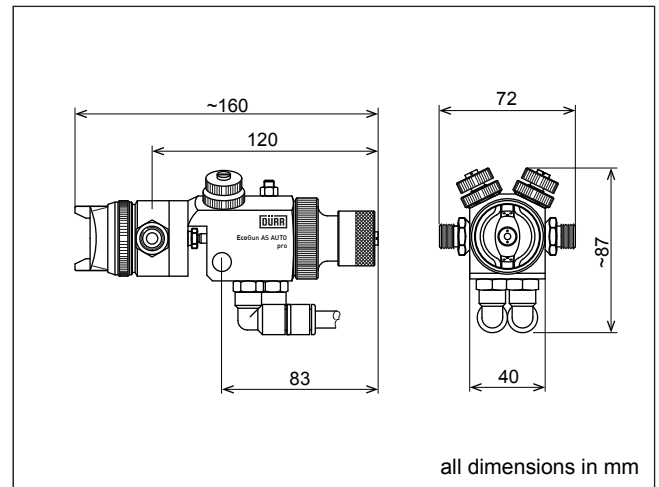


# EcoGun AS AUTO pro N36210012V

## Specification

Weight	850 g
Material Gun Body	SST, Al nickel-plated
Parts contacted by media	Stainless steel
Connector Fluid	G 1/4"
Connector Air	Push-in 6mm
Connector Air, control	Push-in 8mm
Switching Frequency max.	100/min (1,67 Hz)
Recom. Air Pressure	2,0-3,5 bar (29,0-50,8 psi)
Air Consump. @recom. Air Press min.	240 NI/min (8,5 sft <sup>3</sup> /m)
Air Consump. @recom. Air Press max.	270 NI/min (9,5 sft <sup>3</sup> /m)
Pilot Air Pressure max.	3,5-6,0 bar (50,7- 87,0 psi)
Atomizing Air Press. max.	8,0 bar (116,0 psi)
Fluid Pressure max.	4,0 bar (58,0 psi)
Operating temperature max.	60 °C (140 °F)
ATEX Marking	Ex II 2G T6 X

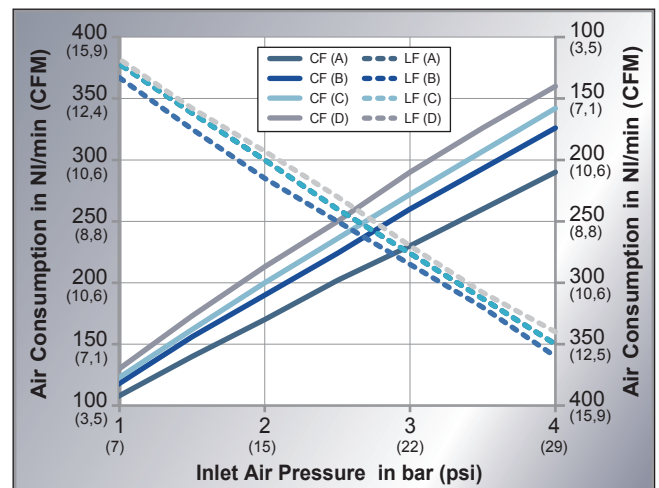
## Dimensions



## Nozzle Selection

Air Cap	Nozzle diameters [mm] / Media
CF (A) LF (A)	0,5 / 0,8 / 1,0 / 1,2 Fine finish coating, top coats, clear coats, mordants
CF (B) LF (B)	1,3 / 1,4 / 1,5 / 1,6 Base coats, primers, fillers
CF (C) LF (C)	1,8 / 2,0 / 2,5 Base coats, primers, fillers, higher flowrate
CF (D) LF (D)	3,0 Primers, fillers, very high flowrate

## Characteristics



## Accessories

Part No.	Description
N36960097	Sealing kit
N66030005	Bracket <b>EcoGun AS AUTO pro</b>
N36960098	Repair kit
M34040021	Paint pipe with filter
W40030934	Hose 6x8 blue
W40030935	Hose 6x8 PU blue
W40030936	Hose 6x8 PU red
N36960102	Accessories kit <b>EcoGun AS AUTO pro</b>

## Further Information

Air caps available for conventional and LVLP applications.

Nozzles 1,0 and 1,2 mm only available for EcoGun AS AUTO pro LVLP.

Final weight depending on configuration.

If you require further information please do not hesitate to contact our Sales Team at +49 7142 78-0 or [Industrial.Products@durr.com](mailto:Industrial.Products@durr.com)