

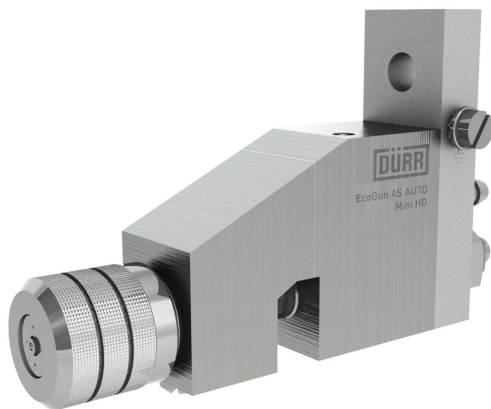
EcoGun AS AUTO Mini HD

Automatic Air Spray Gun

Description

The **EcoGun AS AUTO Mini HD** is an automatic air spray gun especially designed for the application of paint, glue or other aggressive media. One typical field of application is the glue application on packing machines. Due to its small and compact size it requires minimum operation space. Its material design

makes the **EcoGun AS AUTO Mini HD** suitable for harsh environments. The gun body and material path are made of stainless steel and all connections are situated on the reverse. The **EcoGun AS AUTO Mini HD** has round spray pattern.



Customer Benefits

- » Stainless steel body
- » Stainless steel material path and nozzle set
- » Round spray pattern
- » Easy access to needle seal packing
- » Suitable for glues and other aggressive media
- » ATEX Marking Ex II 2G T6 X

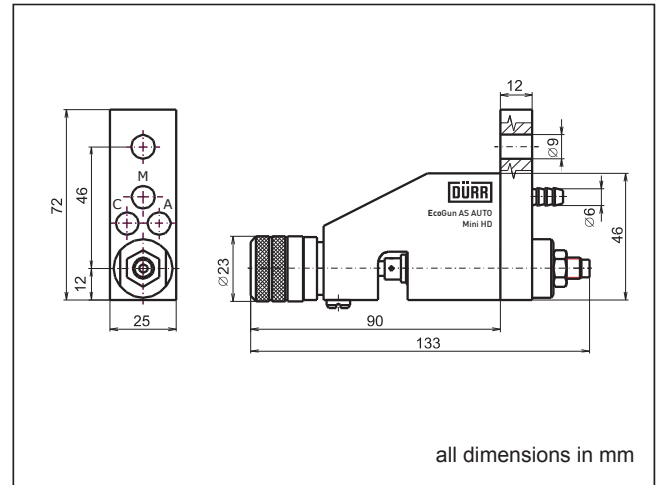


EcoGun AS AUTO Mini HD N36210010V

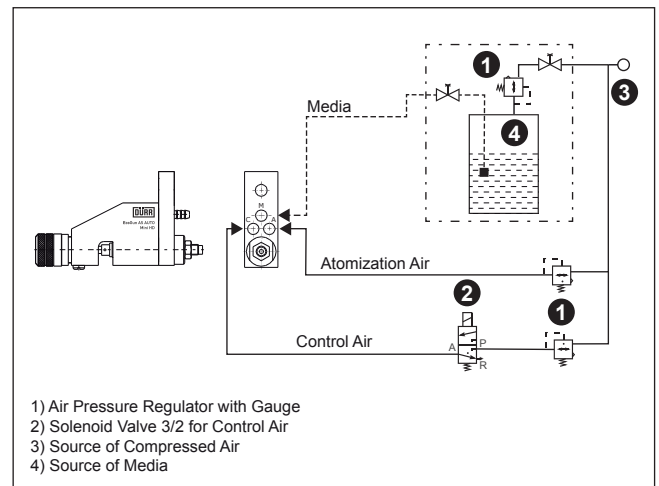
Specification

Weight	580 g
Material Gun Body	Stainless steel
Parts contacted by media	Stainless steel
Diameter Nozzles	0,5 / 0,8 / 1,0 / 1,2 / 1,5 mm
Connector Fluid	for hose 8/6mm
Connector Air	for hose 8/6mm
Connector Air, control	for hose 8/6mm
Switching Frequency max.	120/min (2 Hz)
Recom. Air Pressure	3,0 bar (44 psi)
Air Consump. @recom. Air Press	150 NL/min (5,3 sft ³ /m)
Pilot Air Pressure max.	4,0 bar (58 psi)
Atomizing Air Press. max.	6,0 bar (87 psi)
Fluid Pressure max.	6,0 bar (87 psi)
Operating temperature min	5 °C (41 °F)
Operating temperature max	50 °C (122 °F)
ATEX Marking	Ex II 2G T6 X

Dimensions



Connection Scheme



Accessories

Part No.	Description
N24140005	EcoPump AD 72 8,3 Ace PTFE 1/4"
N08140002	Pressure Pot 10 A
N08140001	Pressure Pot 10
N26010068	EcoFlow LPF M 9 2,5 G1/8" SST

Further Information

Final weight depending on configuration.

If you require further information please do not hesitate to contact our Sales Team at +49 7142 78-0 or Industrial.Products@durr.com