

# EcoGun AS AUTO diaphragm

## Automatic Air Spray Gun

### Description

The **EcoGun AS AUTO** diaphragm is a compact light weight spray gun suitable for simple tasks as water and oil applications for cooling purposes or other similar needs. It is most commonly used in the glass

or heavy machining industry. Its simple design is set up with only one air inlet which provides simultaneous on/off control and atomization at the same time.



### Customer Benefits

- » Simple and robust design
- » Round spray pattern
- » Single air inlet
- » Stainless steel body



# EcoGun AS AUTO diaphragm N36210011V

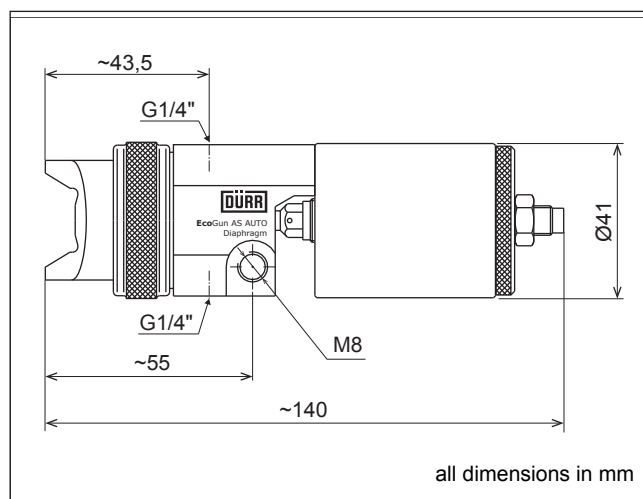
## Specification

Weight	800 g
Material Gun Body	Stainless steel
Parts contacted by media	Stainless steel
Diameter Nozzles	1,4 mm
Connector Fluid	G 1/4"
Connector Air	G 1/4"
Switching Frequency max.	200/min (3,33 Hz)
Recom. Air Pressure	3,0 bar (44 psi)
Air Consump. @recom. Air Press min.	130 NL/min (4,6 sft <sup>3</sup> /m)
Air Consump. @recom. Air Press max.	150 NL/min (5,3 sft <sup>3</sup> /m)
Pilot Air Pressure max.	6,0 bar (87 psi)
Atomizing Air Press. max.	6,0 bar (87 psi)
Fluid Pressure max.	6,0 bar (87 psi)
Operating temperature min	5 °C (41 °F)
Operating temperature max	50 °C (122 °F)
ATEX Marking	Ex II 2G T6 X

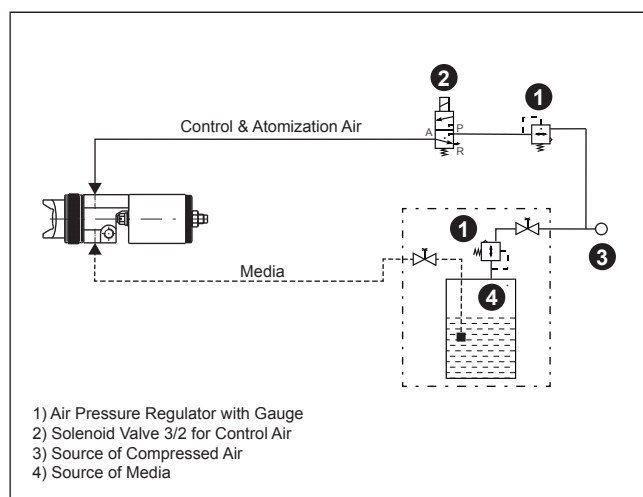
## Accessories

PART. NO	DESCRIPTION
N24140005	EcoPump AD 72 8,3 Ace PTFE 1/4"
N08140002	Pressure Pot 10 A
N08140001	Pressure Pot 10
N26010068	EcoFlow LPF M 9 2,5 G1/8" SST

## Dimensions



## Connection Scheme



## Further Information

Final weight depending on configuration.

If you require further information please do not hesitate to contact our Sales Team at +49 7142 78-0 or [Industrial.Products@durr.com](mailto:Industrial.Products@durr.com)