

Agitator

Description

The pneumatic Agitator A MAN R 100 for the manual preparation of paint before application or to prevent settling of the paint during spraying has been designed for small volume pots of up to 25 liters. Various shaft lengths are available and revolution speed regulation

enables easy operation. A stand is available optionally to allow for mixing without assistance from the operator. A pneumatic drive allows safe use in a paint shop environment.



Customer Benefits

- » Suitable for paint shops
- » Revolution speed regulation
- » Optional stand
- » Stainless steel shaft and propeller
- » Different shaft lengths available
- » Easy operation
- » ATEX Ex II 2G



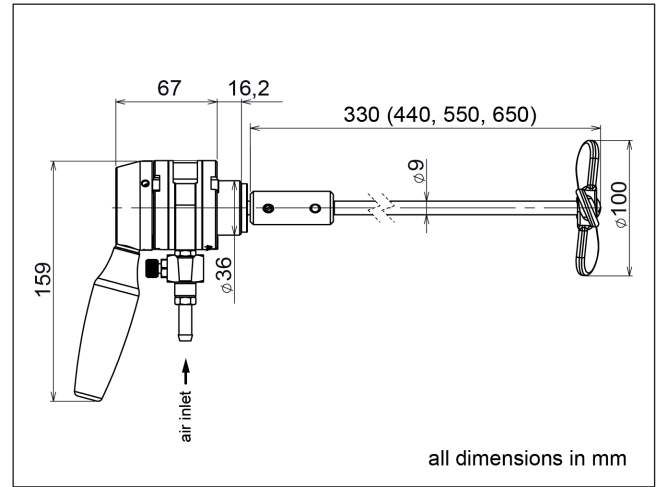
Agitator A MAN R 100

N68040281-284

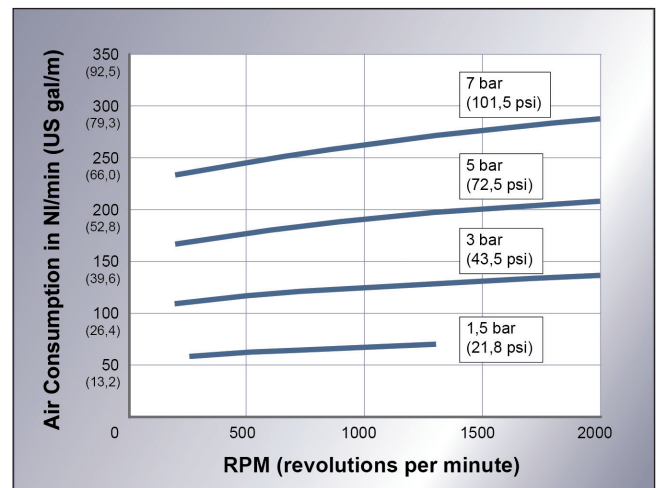
Specification

Weight	1,5 kg
Diameter Blades	75 / 100 mm (3 / 3,9")
Geometry Blades	Propeller
Diameter Shaft	9 / 12 mm (0,4 / 0,5")
Length Shaft	330-650 mm (13,0-25,6")*
Parts contacted by media	Stainless Steel
Drive type	Pneumatic
Operation	Manual
Connector Air	DN 8
Rated Power	0,07 kW
Operating Pressure	1-7 bar (14,4-101,5 psi)
Air consumption @ 7bar	280 NL/min (9,9 sft ³ /m)
Speed Range	0-800 rpm
ATEX Marking	Ex II 2G

Dimensions



Characteristics



Accessories

Part No.	Description
N25220002	Stand for Agitator A MAN 440-650
N25220001	Stand for Agitator A MAN 330

Further Information

Versions with different shaft lengths:

- N68040280 Agitator A MAN R 100 (330mm)
- N68040281 Agitator A MAN R 100 (440mm)
- N68040282 Agitator A MAN R 100 (550mm)
- N68040283 Agitator A MAN R 100 (650mm)

Shaft diameter depending on shaft length.

If you require further information please do not hesitate to contact our Sales Team at +49 7142 78-0 or Industrial.Products@durr.com